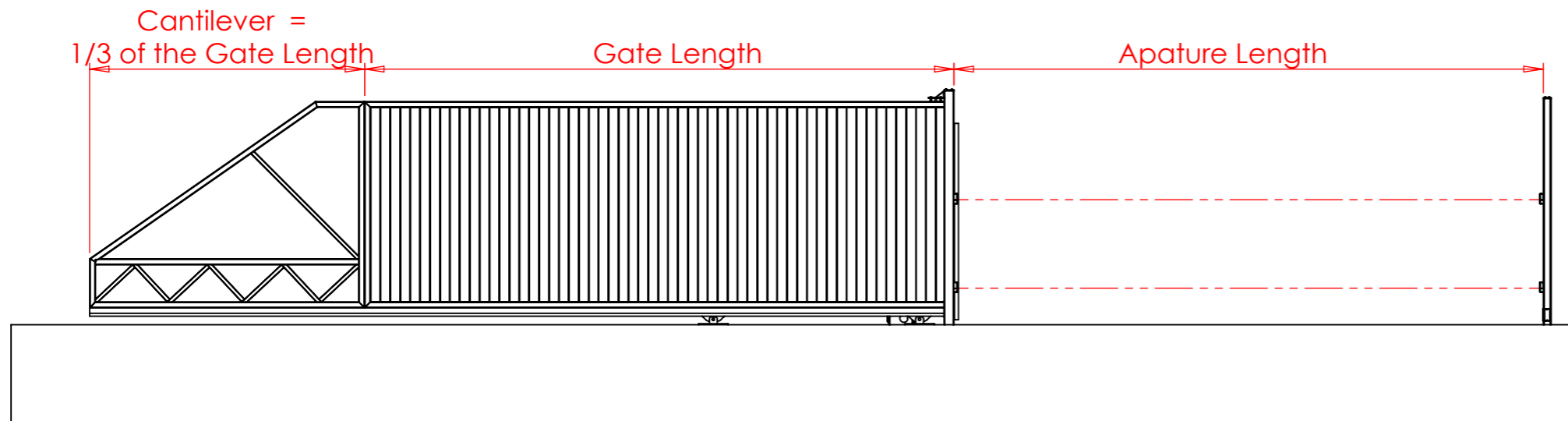
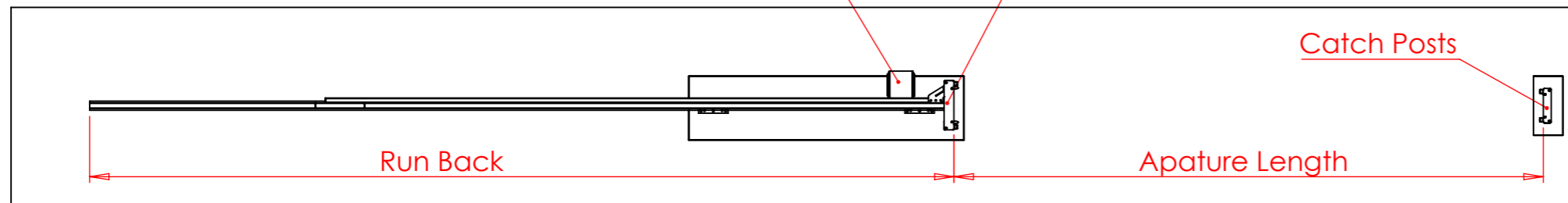
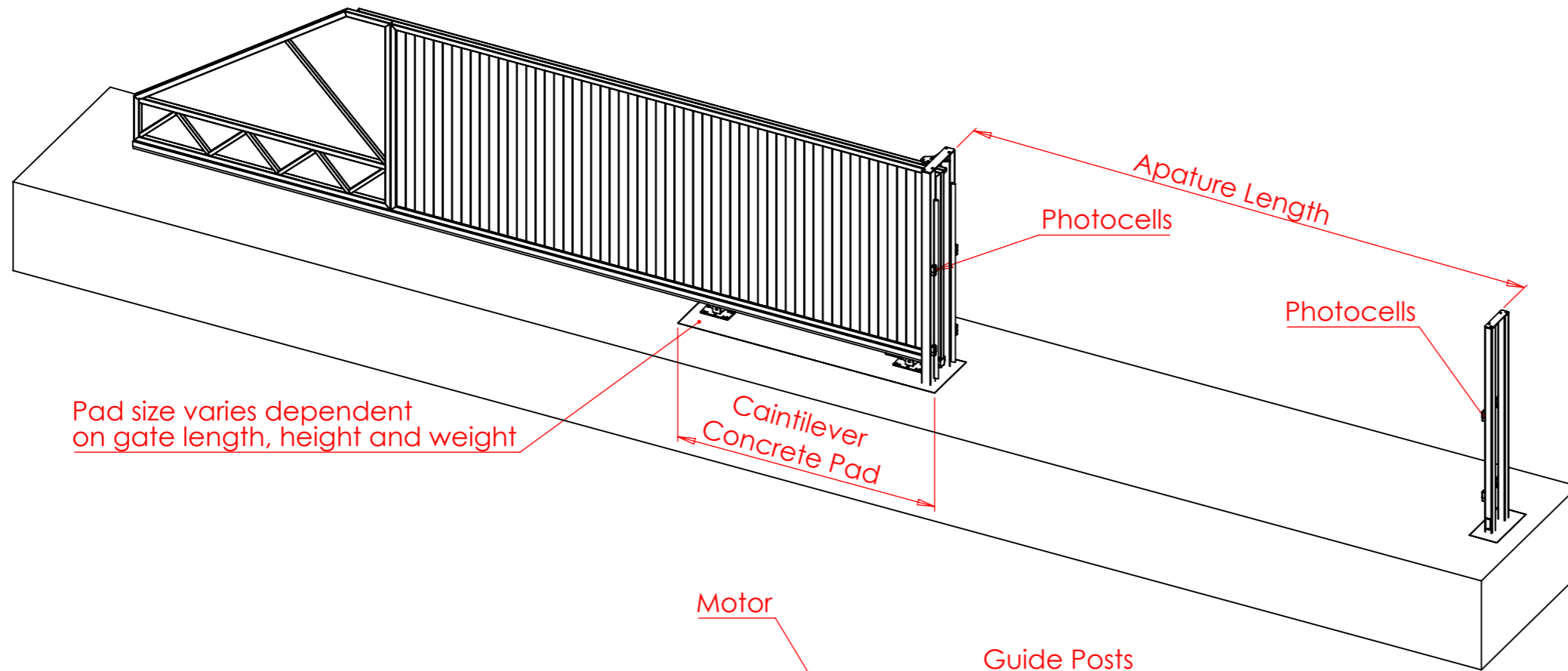


Cantilever Gate



NOTES:

MATERIAL: S275J0	WEIGHT: N/A
FINISH: N/A	MATERIAL FINISH: Galvanised

DIMENSIONS IN MILLIMETRES UNLESS OTHERWISE STATED

LINEAR TOLERANCE $\pm 1\text{MM}$ ANGULAR TOLERANCE $\pm 0.5^\circ$

	NAME	SIGNATURE	DATE
DRAWN	M. Allen		05/02/19
CHK'D	M. Allen		05/02/19
APPV'D	M. Allen		05/02/19
Q.A	M. Allen		05/02/19
MFG	G.S/D.L		05/02/19

DO NOT SCALE DRAWING REVISION:

Website

TITLE: **Cantilever Gate, Arrangement Drawings**

DWG NO. **ABUK-CLSG/001**

A3

SCALE: 1:200

SHEET 1 OF 1